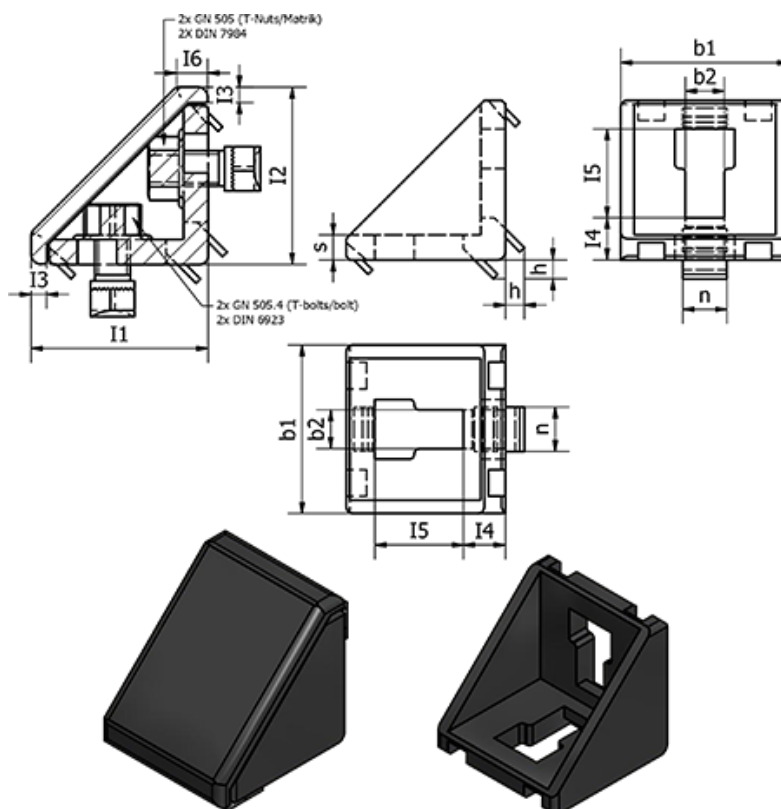


Article number: 2096040104040BSR

Description: Angle pieces for profile systems - GN 960-40-10-40-40-B-SR

Measures



b1 = 38	I6	= 7.2
b2 = 8.5	n	= 10
h = 4.1	s	= 5.6
I1 = 40	Weight (g)	= 37
I2 = 40		
I3 = 4		
I4 = 9.5		
I5 = 20		